

CONNEXIONS (UK) PLC

Specification For Approval

Part NO.: COS-20040520-2

Ver. : T0

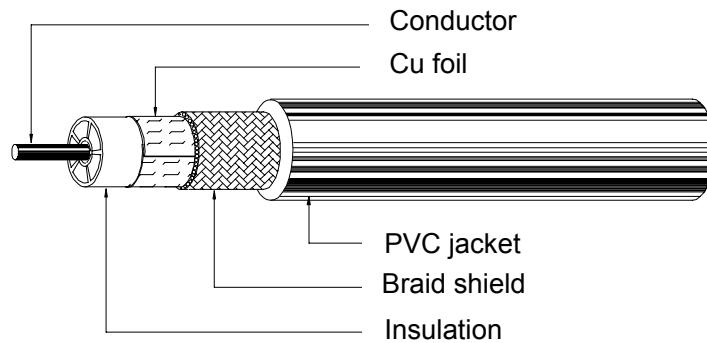
Product Code : CT100 (CU) COAXIAL CABLE

Page : 1 / 1

1.CONSTRUCTION

Item		A.Q.L	Description
Conductor	NO./mm	1.00	Bare copper
	1.00	(+/-0.02)	
Insulation	NO./mm	4.60	Cell PE insulation
	4.60 CPE	(+/-0.18)	
Shield	Cu foil	64 (+/-2) ; 0.14 (+/-0.008)	Copper foil shield
	0.14 x 64		Bare copper briad shield
Jacket	NO./mm	6.80	Black PVC jacket
	6.80	(+/-0.25)	

2.DESIGN



3.CHARACTERISTICS

Item	Description		Standards
1. Cond. Res.	20°C, Conductor DC Resistance		< 2.56 Ω / 100M
2. Braid coverage	-----		51 ± 3 %
3. Capacitance	-----		55.0 ±5 pF/M
4. Velocity ratio	-----		81.0 ± 3 %
5. Char. Imped.	20°C, 200MHz		75 ±3 Ω
6. Attenuation	20°C	100 MHz	6.9
	-dB/100M (+/-10%)	800 MHz	20.0
		1000 MHz	22.5

Remark: Please contact us if you have more requirements or specifications subject to change, or else in accordance with the standards.

Prepared: Achai

Approved by :

Date : 2004-5-20