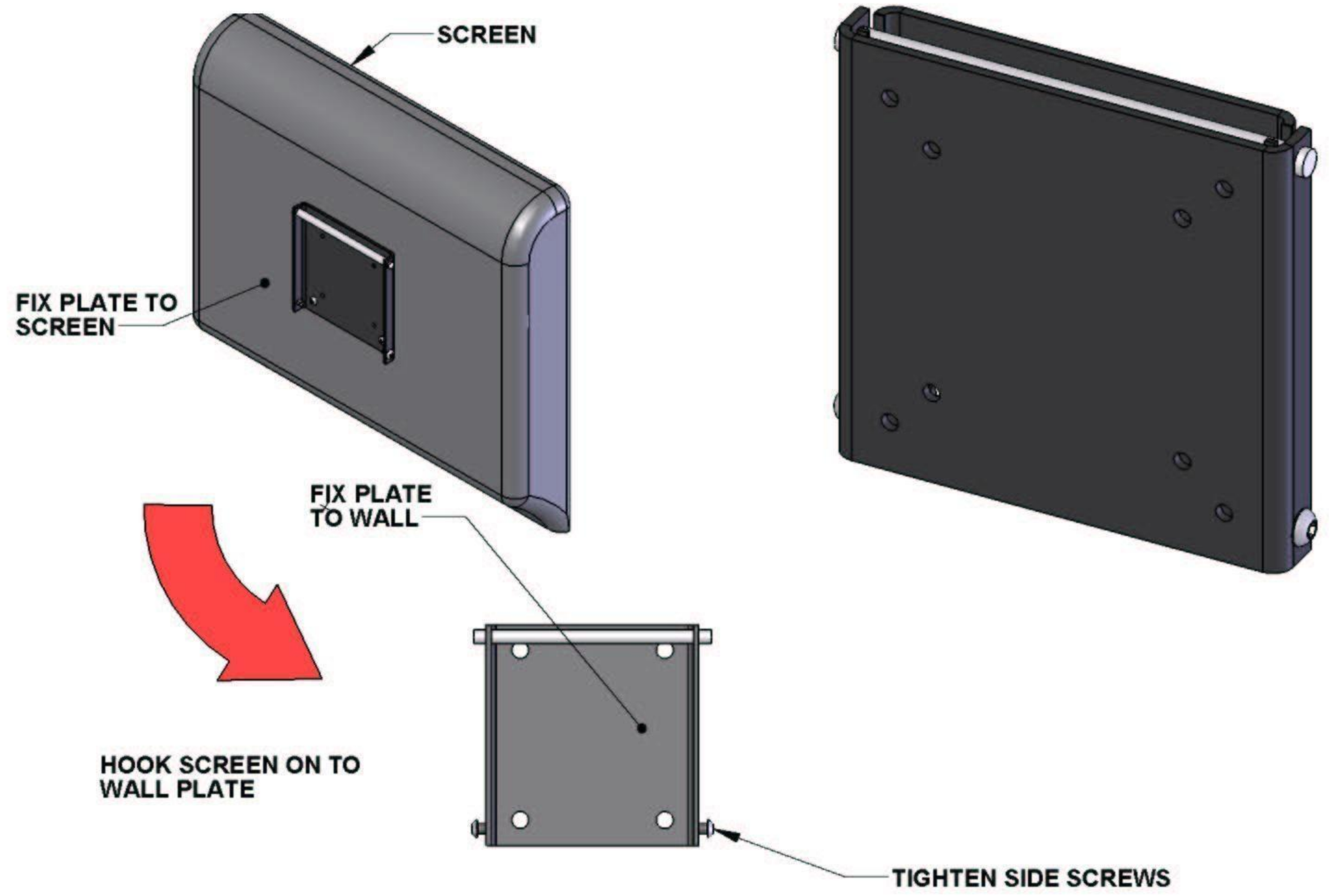


FLUSH MOUNT VESA 100 BRACKET (CXFMB100)



FUNCTION

A FLUSH WALL MOUNT TO HOLD SMALLER SCREENS FLAT ON A WALL.

SUITABILITY

ANY VESA 75/100 COMPLIANT SCREEN UP TO 25KG IN WEIGHT CAN BE FIXED TO THIS BRACKET.

ALL FIXINGS SUPPLIED.

SPECIFYING

CHECK WALL MAKE UP FOR SUITABILITY.

CHECK VIEWING ANGLES /POSITION.

WALL FIXINGS

WALL FIXINGS SUPPLIED FOR GOOD QUALITY BRICK WORK.

WARNING

IT IS THE RESPONSIBILITY OF THE INSTALLER TO MAKE SURE THIS PRODUCT IS SAFELY SECURED TO THE WALL/CEILING

VESA

A VESA MOUNT HAS:
FOUR HOLES 100MM X 100MM
OR FOUR HOLES 200MM X 200MM
OR SIX HOLES 200MM X 100MM



**AUDIO VISUAL
INSTALLATION PRODUCTS
NETWORKING
POWER CORDS**



**FUTURE
AUTOMATION**