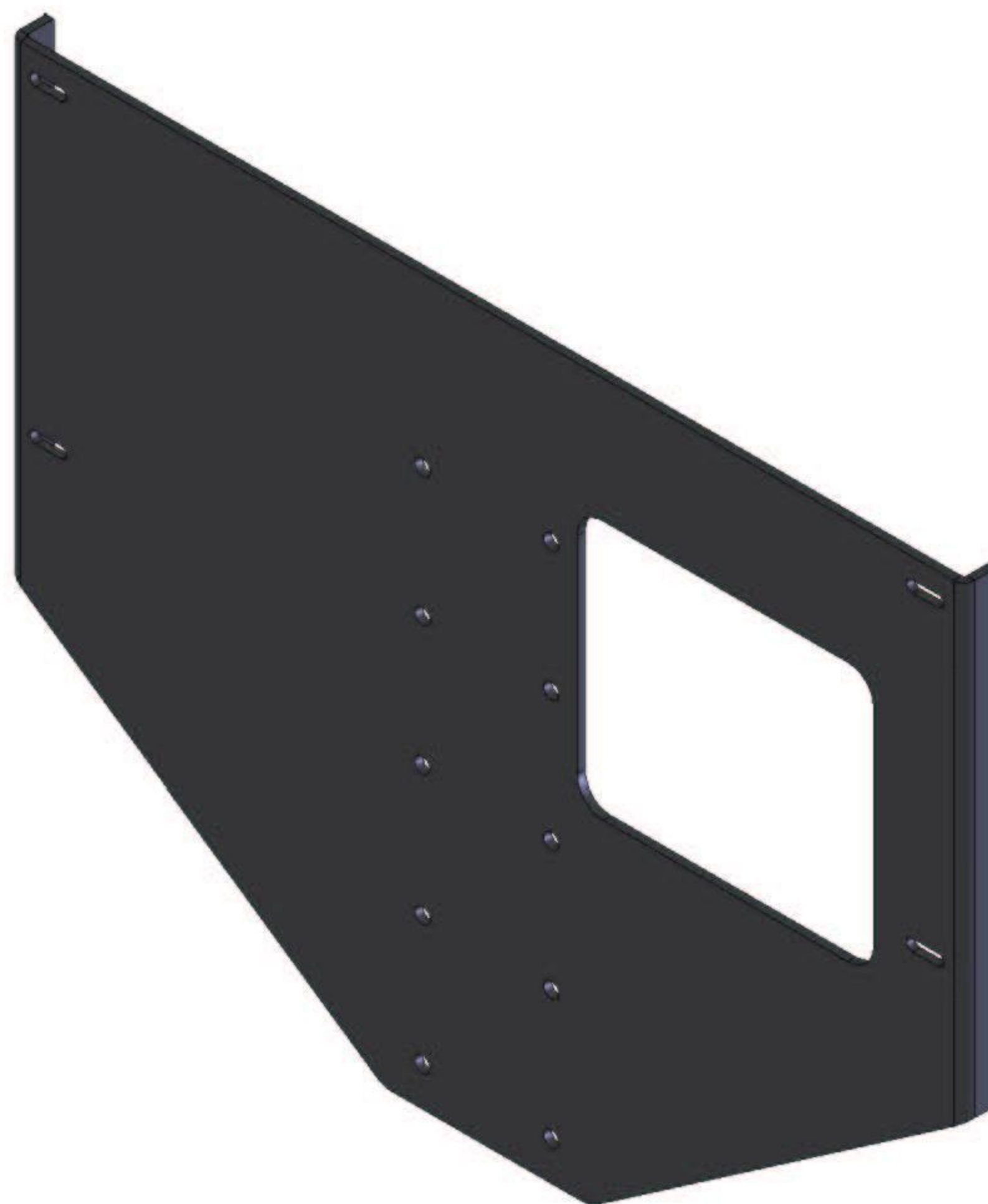
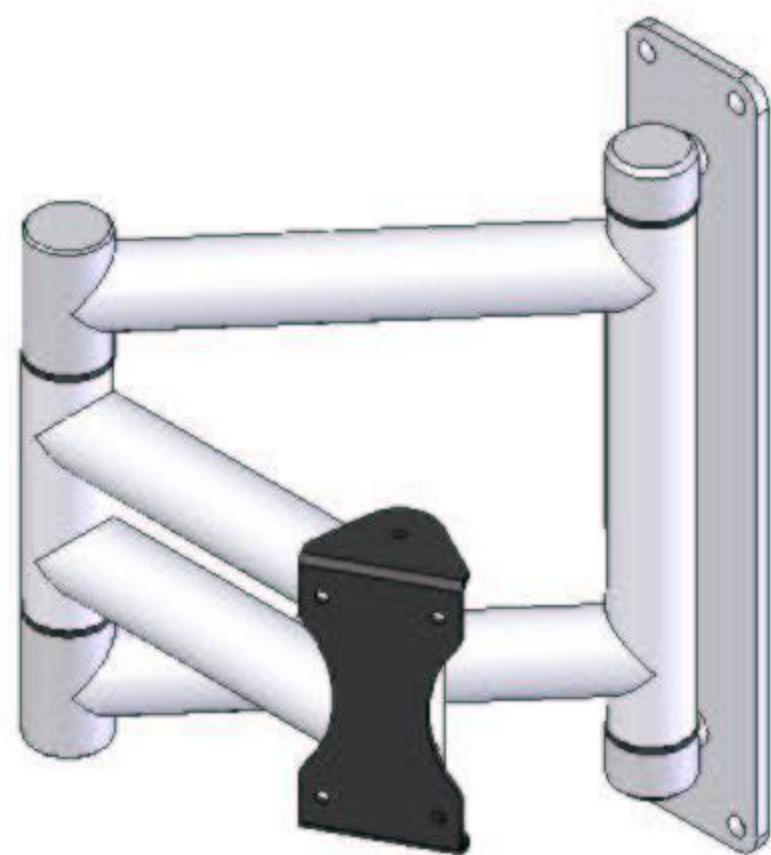


Steel LCD Plasma Swivel 26" to 32" - Panasonic
(CXFSHPA200)



SUPPLIED
SCREEN
FIXINGS

Bolts & Washers

M4 x 16mm x 4
M4 x 45mm x 4

Spacers

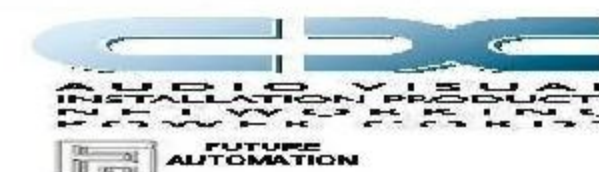
30mm x 4

WARNING

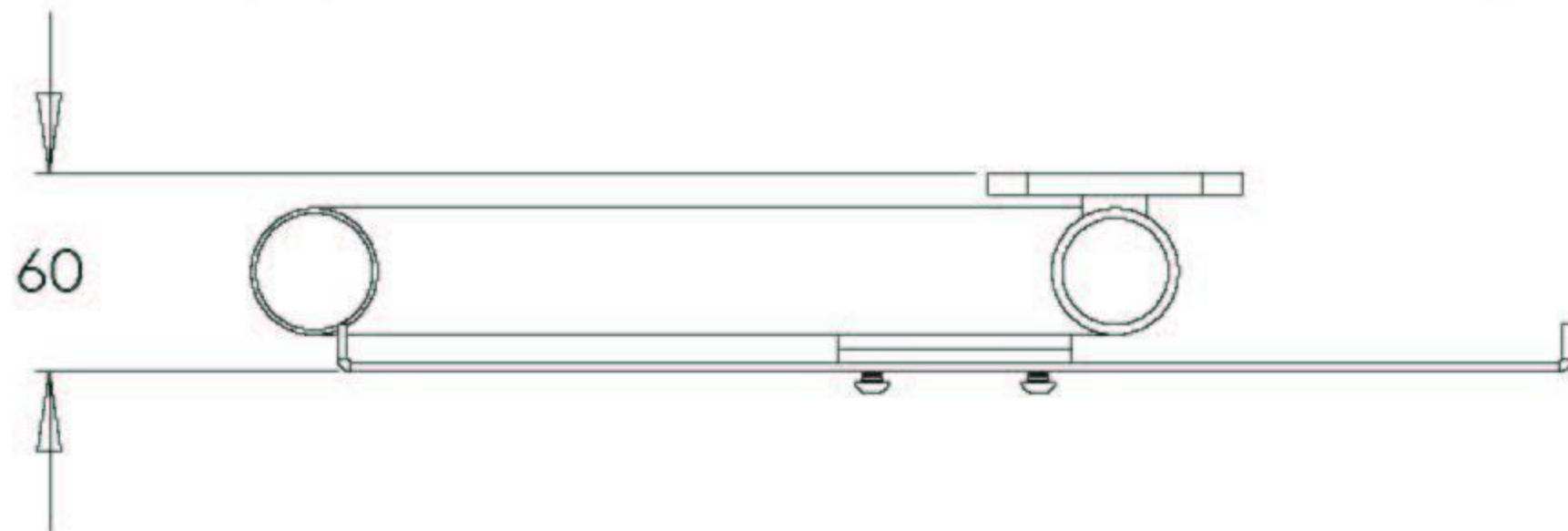
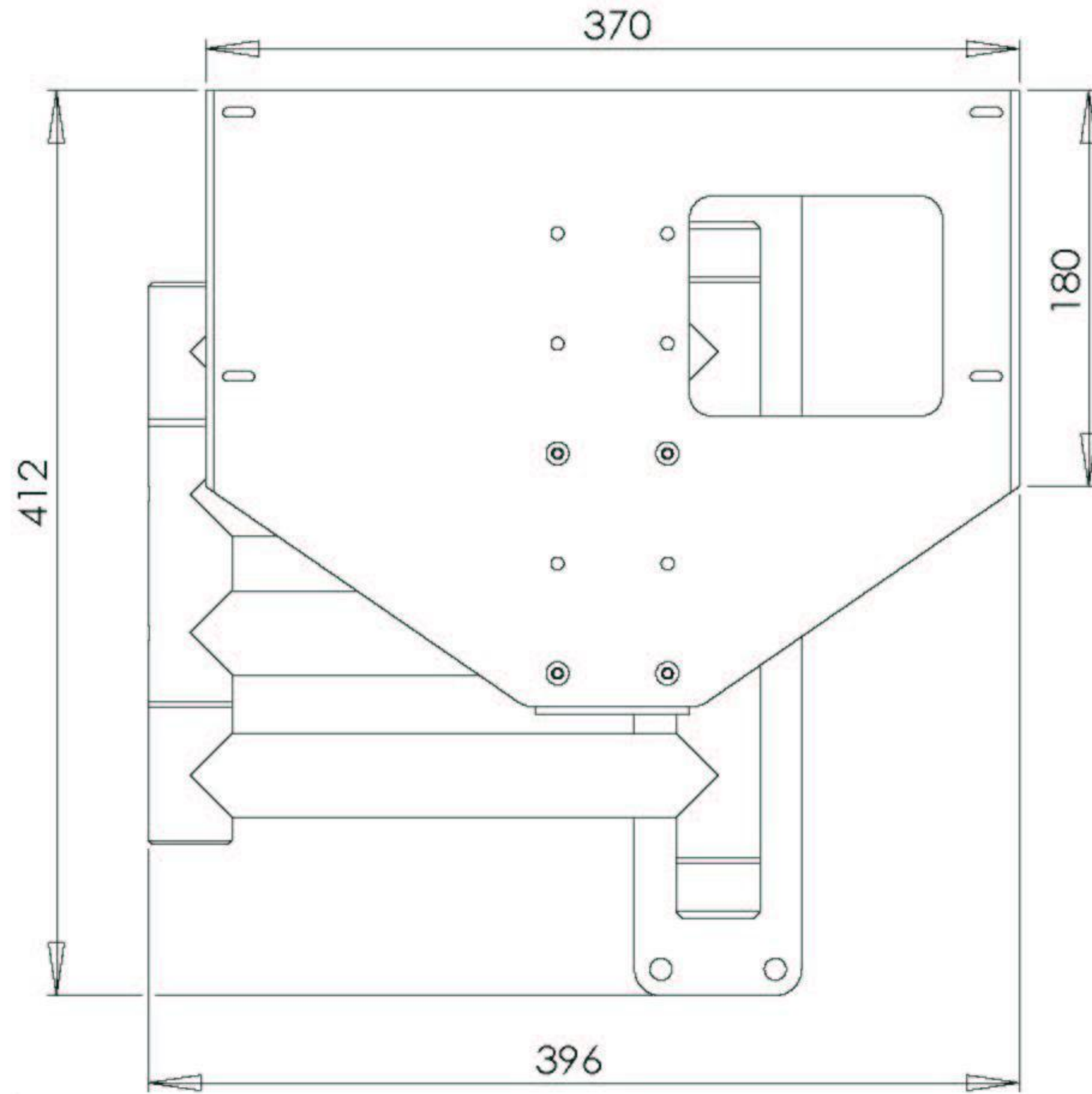
It is the responsibility
of the installer to make
sure this product is
safely secured to
the wall / ceiling.

FIXES

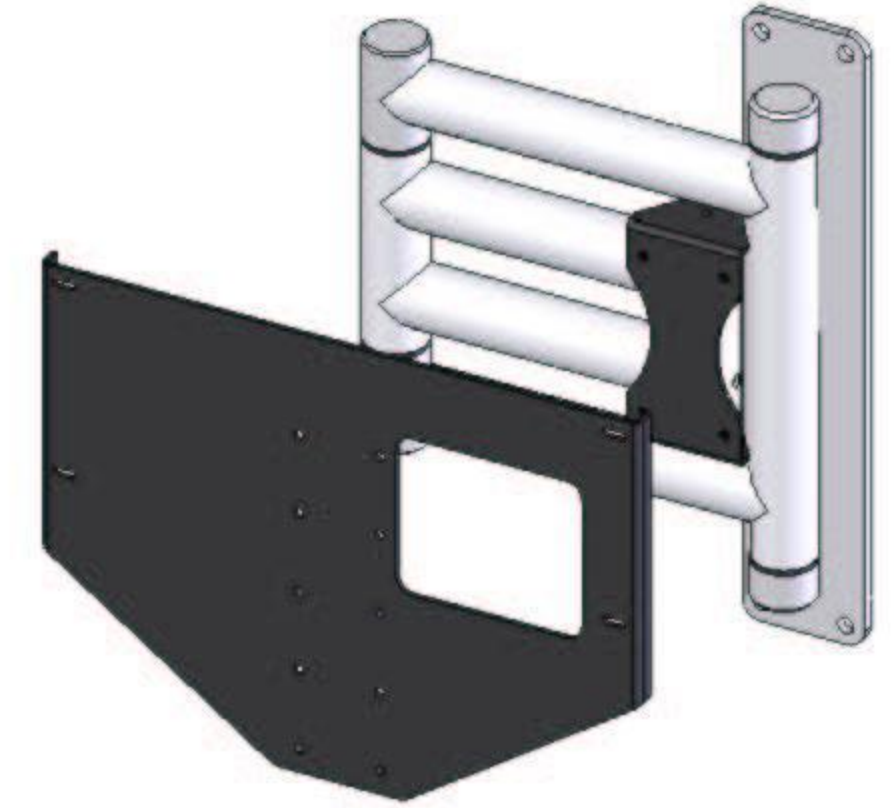
The Panasonic 26 / 32
mount fixes to the
FSH universal mount
with 4 M6 x 16 bolts,
nuts and washers.



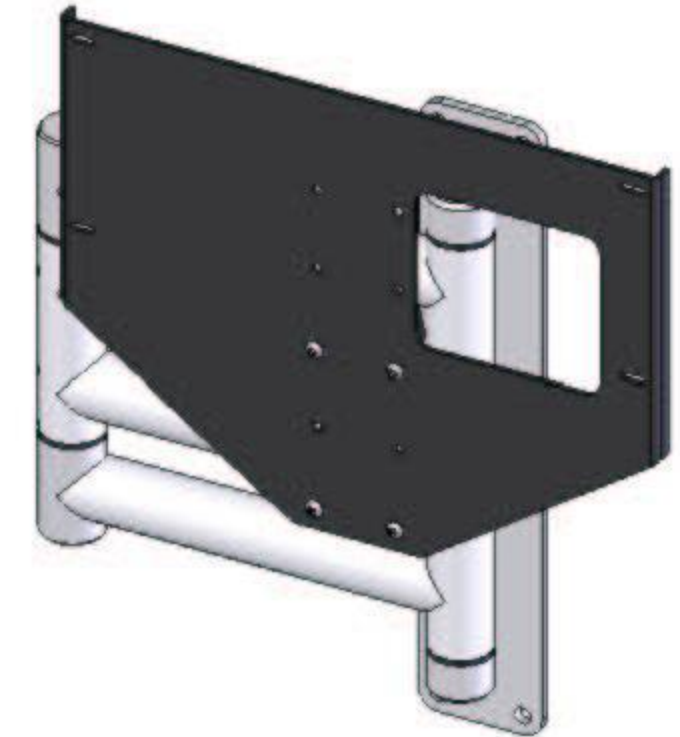
**Steel LCD Plasma Swivel 26" to 32" - Panasonic
(CXFSHPA200)**



Fix the Pan 26 / 32 mount to the FSH bracket, using the clinch studs. Choose one of 3 heights so that the screen covers the bracket.



Fix the screen through the four slots in the mounting plate. Some screen models may require the use of spacers.



Some of the older Panasonic models have a bulge on the back and will require the use of the longer bolts and spacers supplied with the mount.

