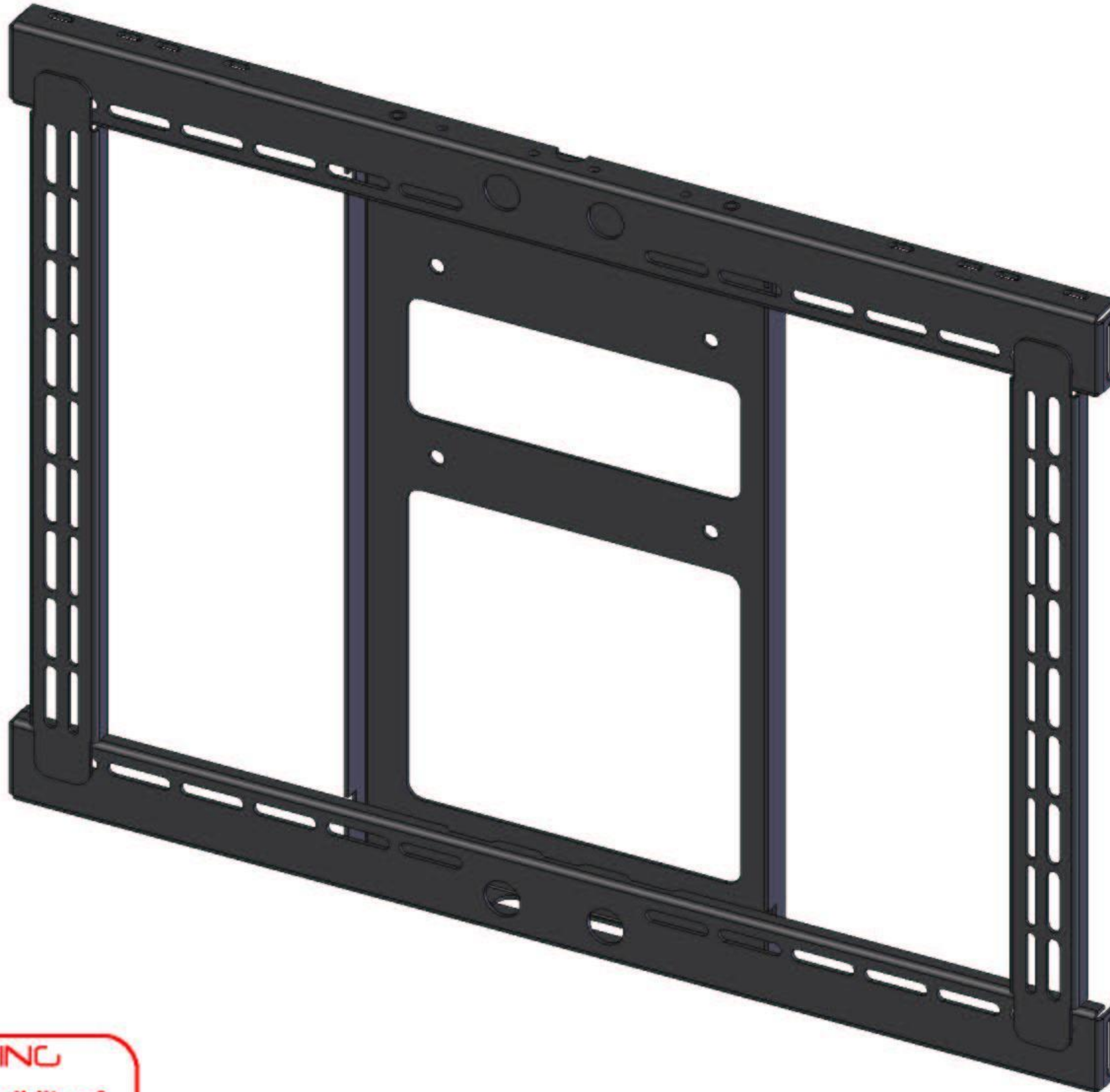


UNIVERSAL PLASMA / LCD MOUNT 37" TO 50" (CXPLASUNI)



WARNING

It is the responsibility of the installer to make sure this product is safely secured to the wall or ceiling.

FUNCTION

The PFA mount enables a 37" to 50" screen to be mounted on a wall, keeping it as flat as possible to the wall itself.

SUITABILITY

Can be fitted in a recess.

SPECIFYING

Check the wall make up for suitability.

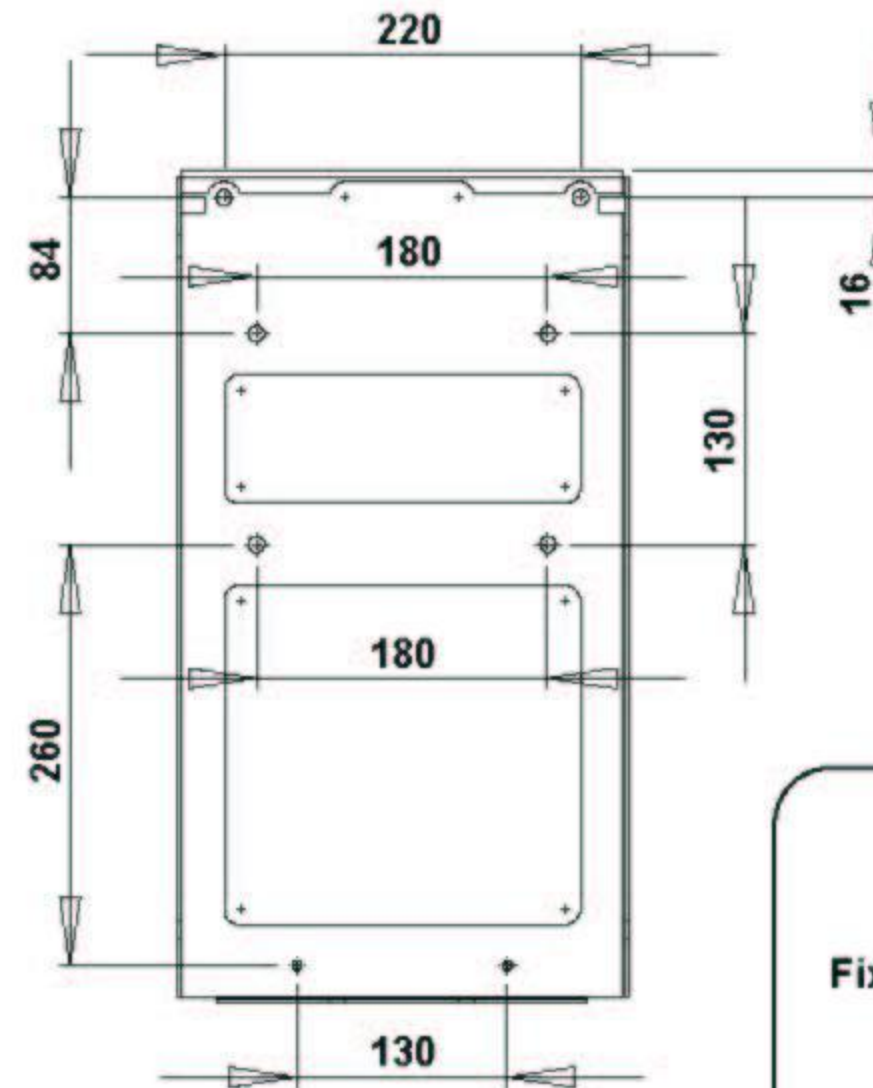
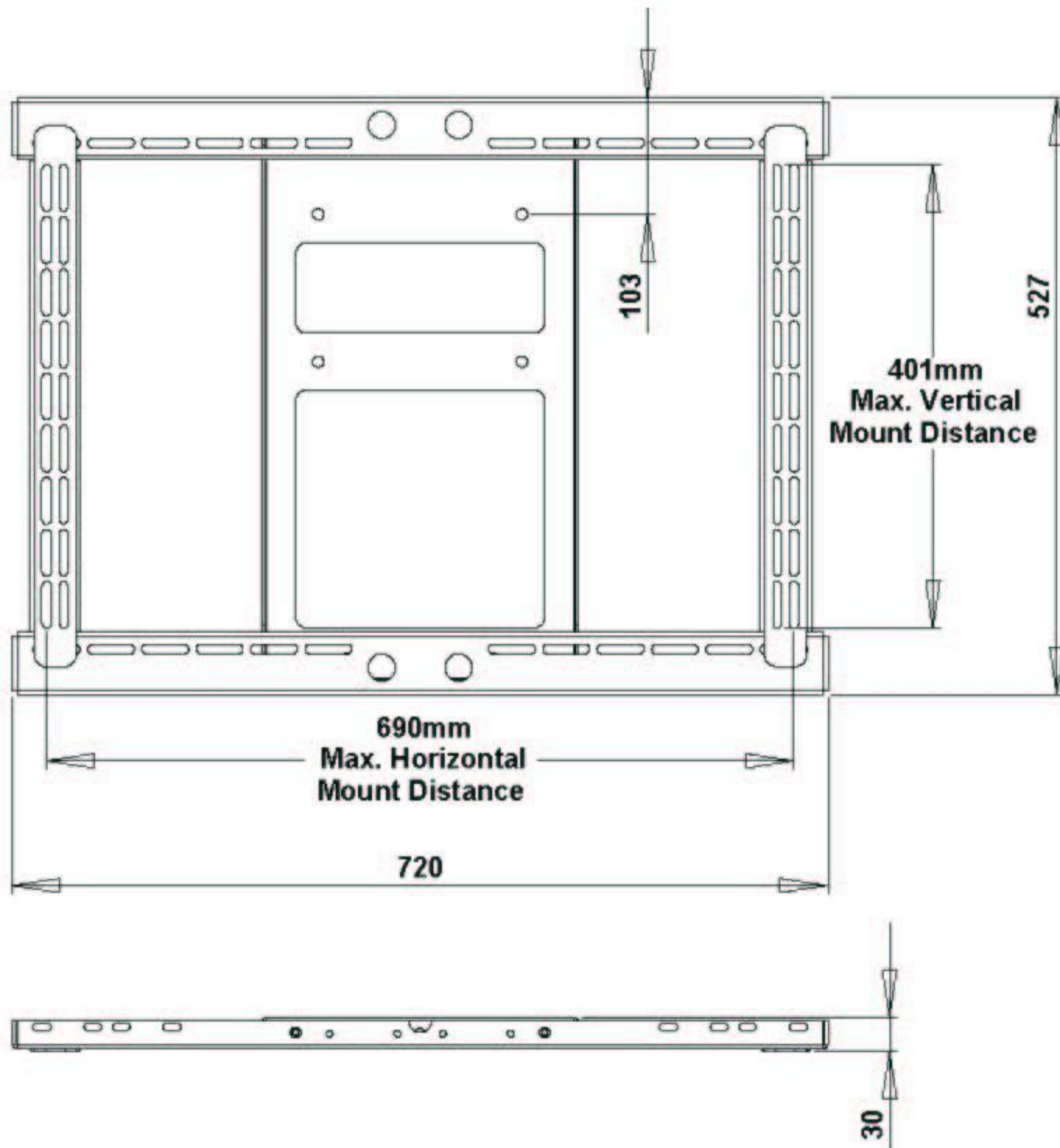
Check viewing angles and position.

WALL FIXINGS

No fixings are provided with this product. Consider using rawlbolts or resin anchors. Resin anchors are ideal for softer brickwork or blocks.



UNIVERSAL PLASMA / LCD MOUNT 37" TO 50" (CXPLASUNI)

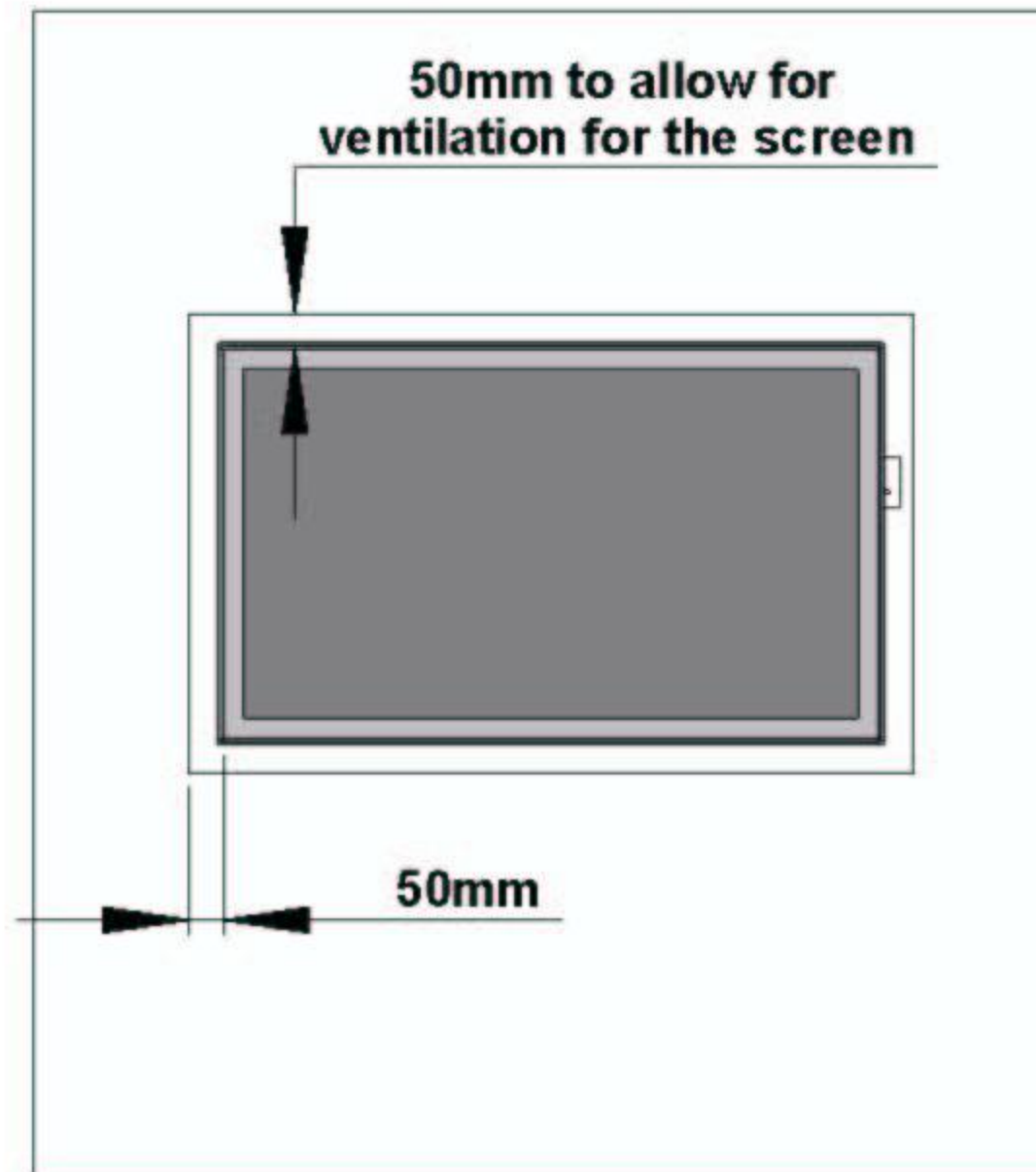
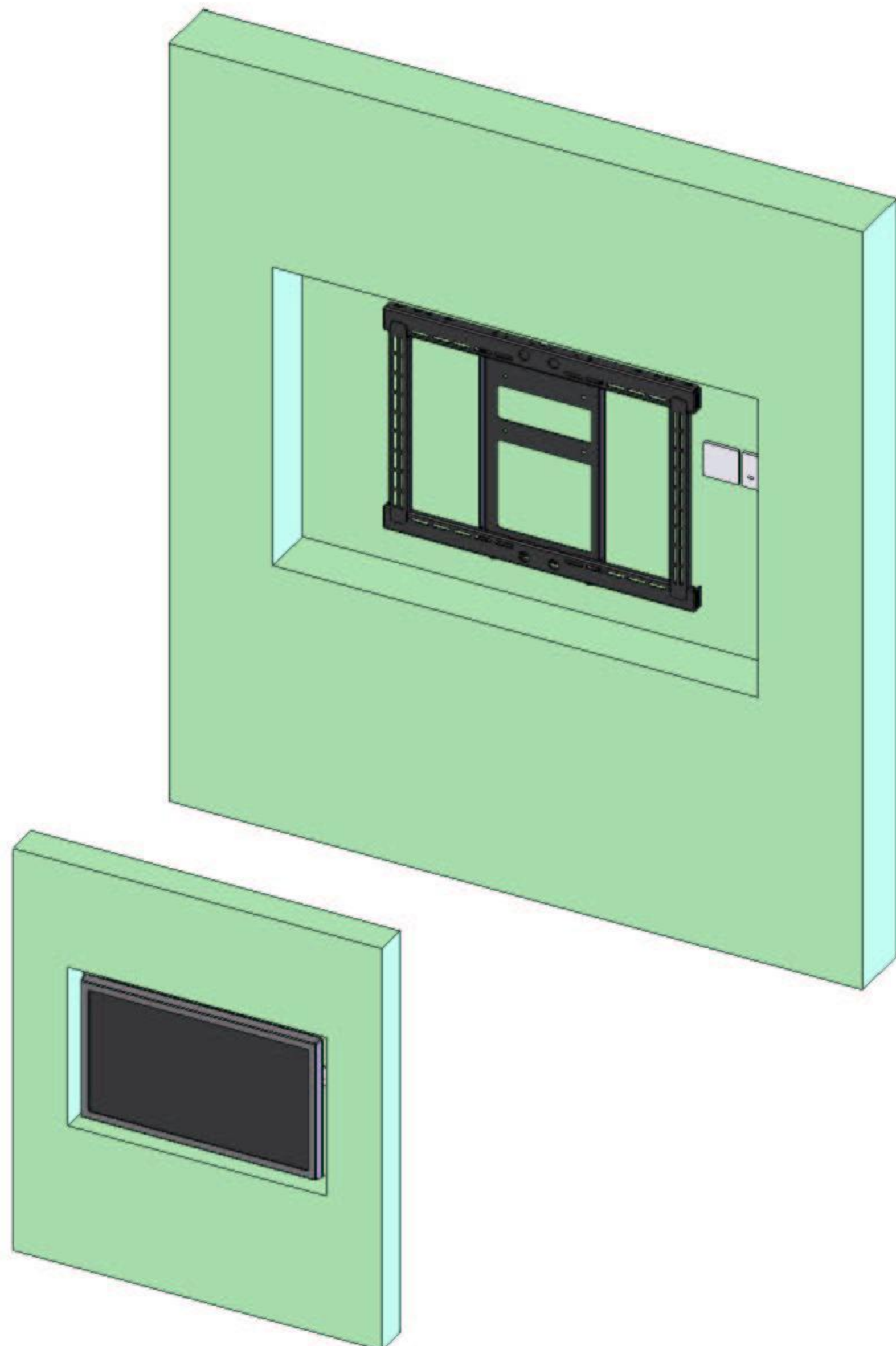


FIXING
 Fix wall plate to wall
 Fix frame to plasma screen
 Hang plasma on
 wall mounted frame

FIXING
 6 main fixing holes
 on the wall plate
 Wall plate must be fixed on
 a strong, solid surface.



UNIVERSAL PLASMA / LCD MOUNT 37" TO 50" (CXPLASUNI)



The whole area of the wall plate needs to be well supported. Ideally solid plaster over brickwork. If stud work then thick timber (50mm) to screw into around the top six mounting holes.

Depth of recess should be screen depth + 30mm + 10mm spare

