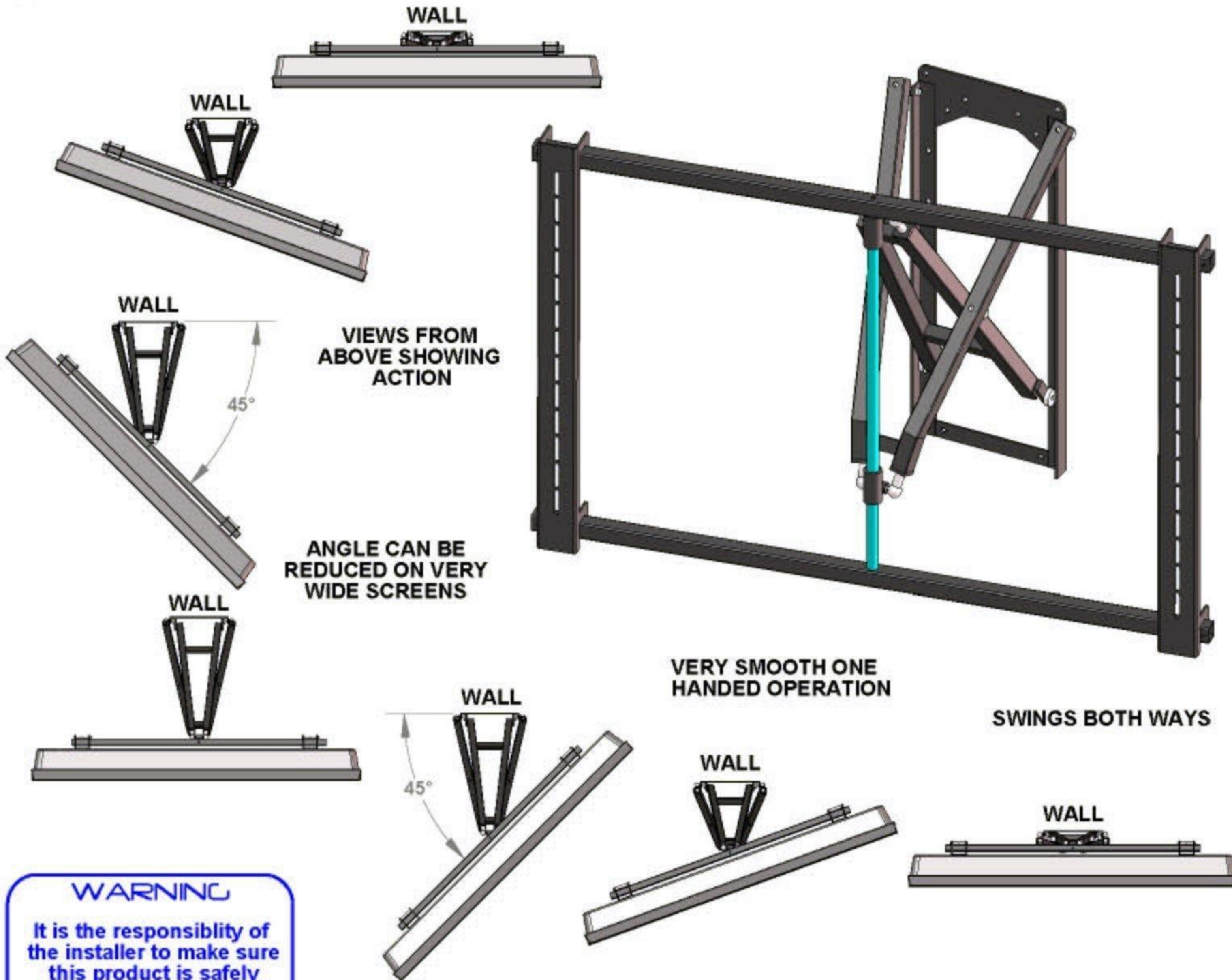


# PLASMA TV SWIVEL BRACKET 55" TO 65" (CXPLASWI65)



**FUNCTION**  
A swivelling manual plasma bracket for screens from 55" to 65". Pull away from the wall and swivel the plasma screen left or right.

There are three sizes available.

**SUITABILITY**  
All flat screens with rear mounting bolt patterns will fix on to the PS60. Check the screen size is big enough to cover the bracket. Max weight is 120kg.

42" or 50" plasmas fit the smaller PS42 and PS50.

### SPECIFYING

Check the wall make up for suitability.

Check viewing angles and position.

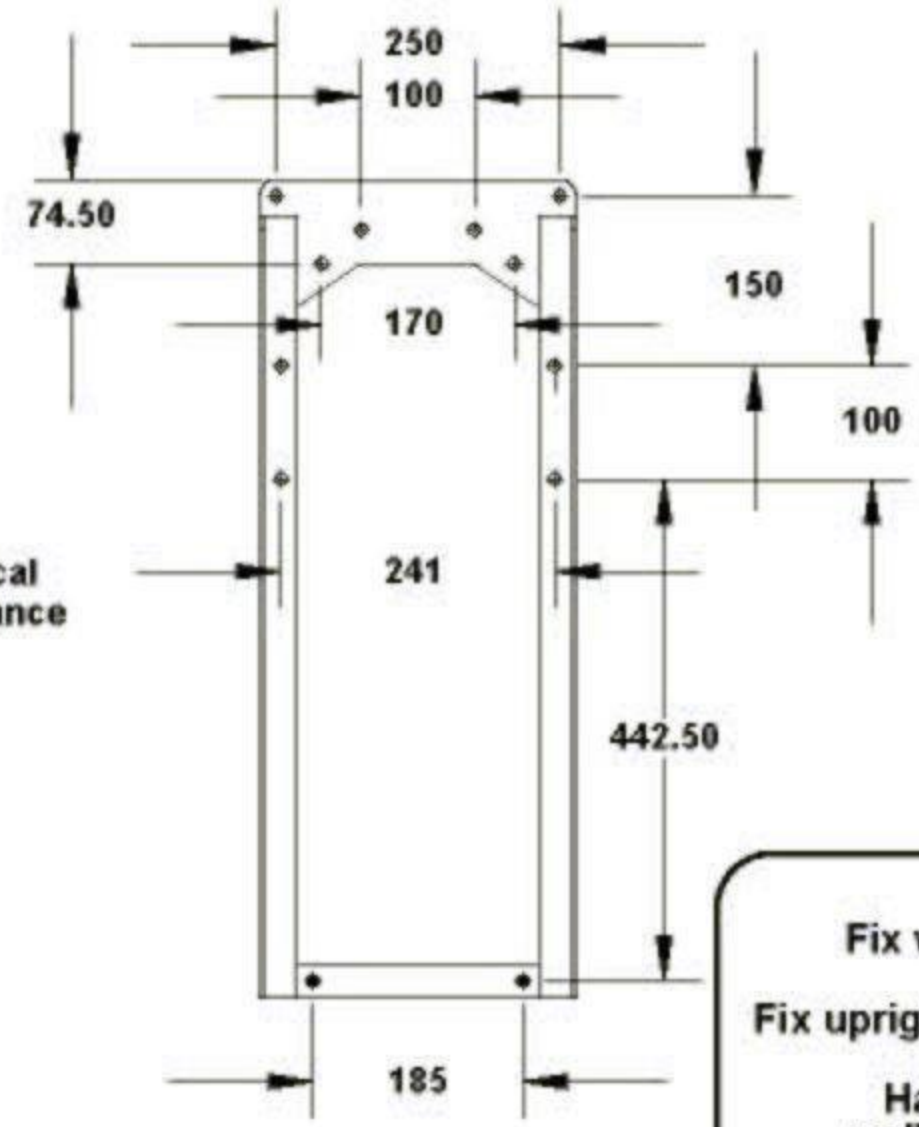
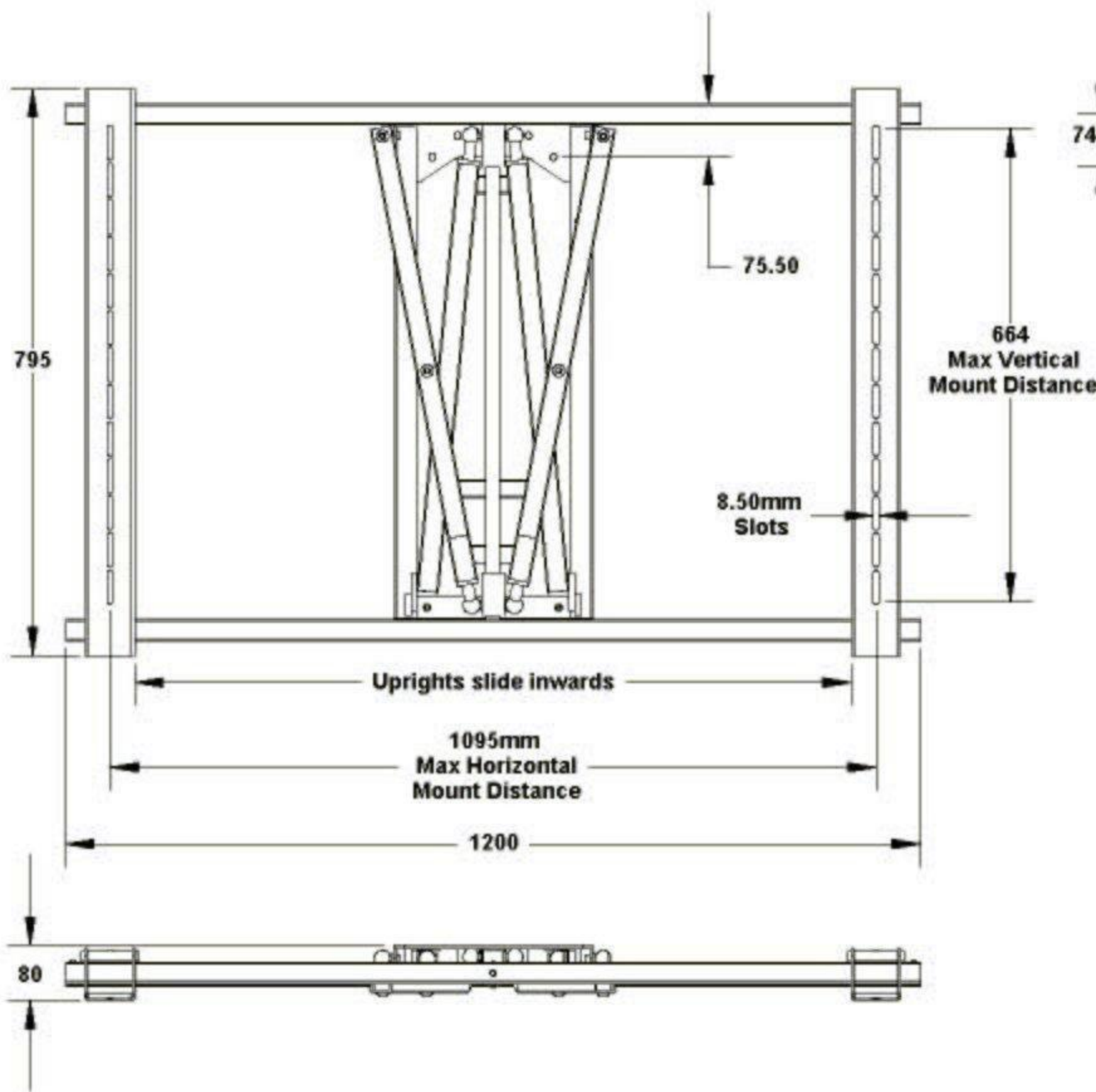
### WALL FIXINGS

No fixings are provided with this product. Consider using rawbolts or resin anchors. Resin anchors are ideal for softer brickwork or blocks.

### WARNING

It is the responsibility of the installer to make sure this product is safely secured to the wall or ceiling.

# PLASMA TV SWIVEL BRACKET 55" TO 65" (CXPLASWI65)

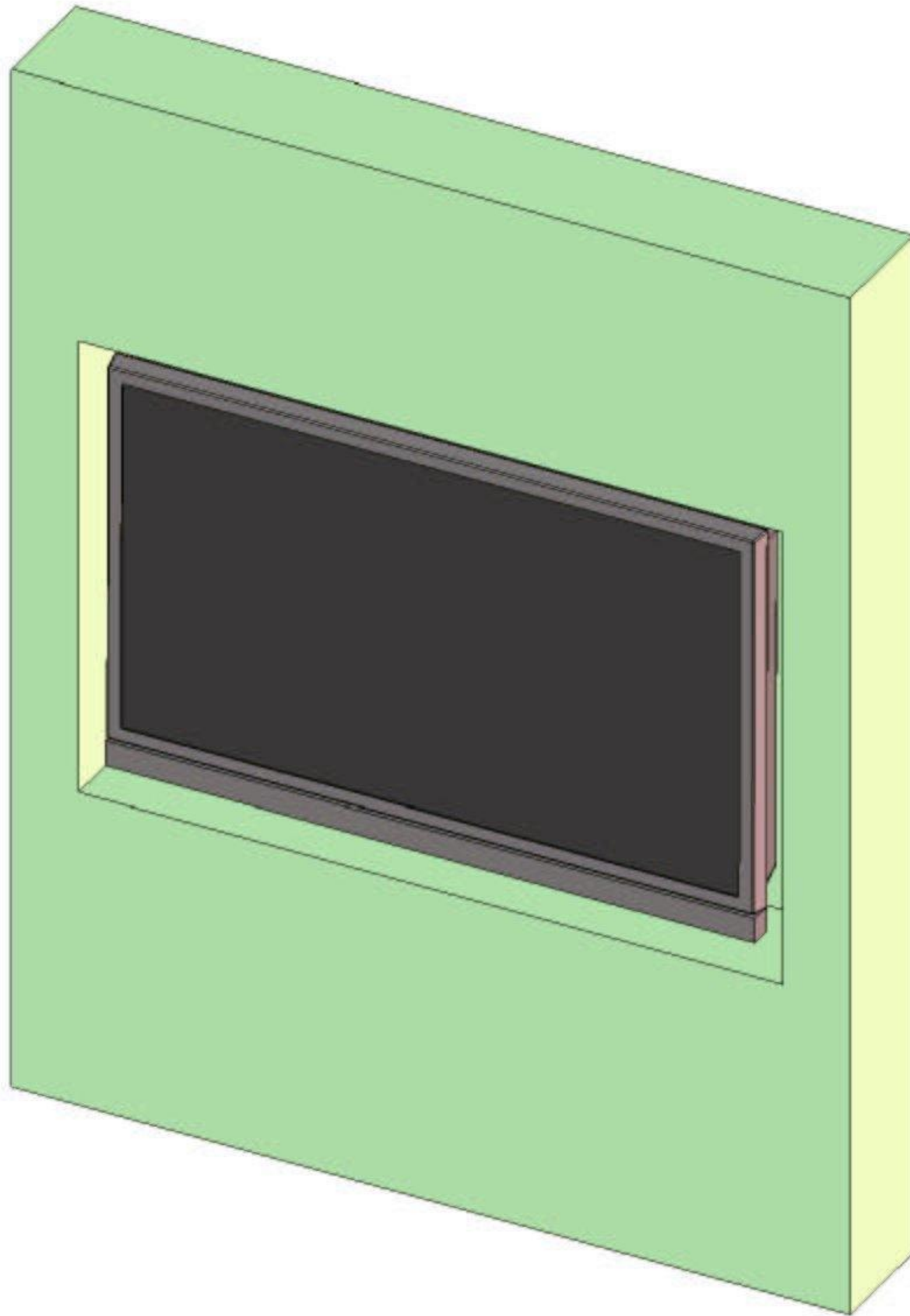


**FIXING**  
 Fix wall plate to wall  
 Fix uprights to plasma screen  
 Hang plasma on  
 wall mounted frame  
 See instruction sheets  
 for details

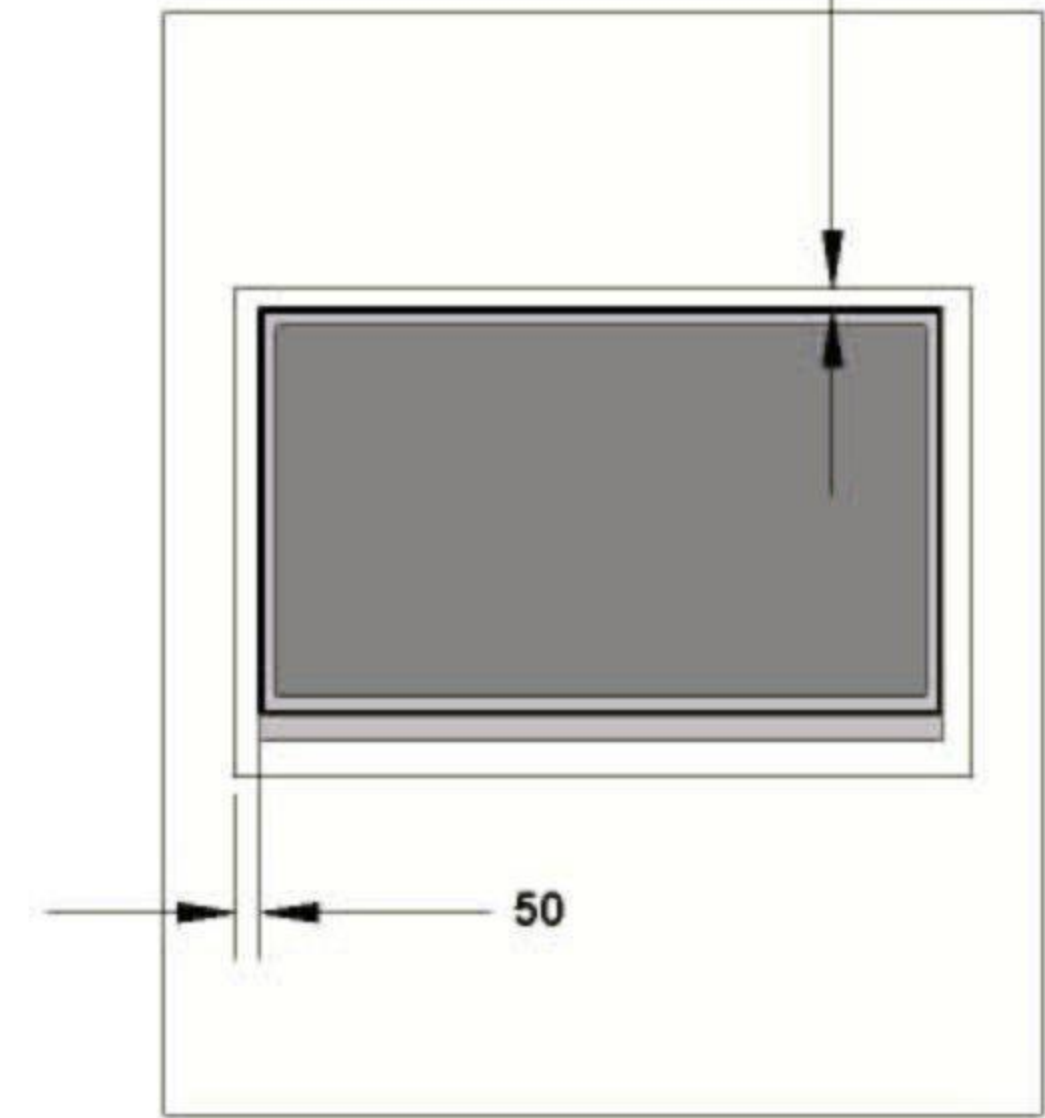
**FIXING**  
 10 main fixing holes  
 on the wall plate  
 The main pulling force  
 is at the top of the wall plate.  
 Wall plate must be fixed on  
 a strong, solid surface.



# PLASMA TV SWIVEL BRACKET 55" TO 65" (CXPLASWI65)



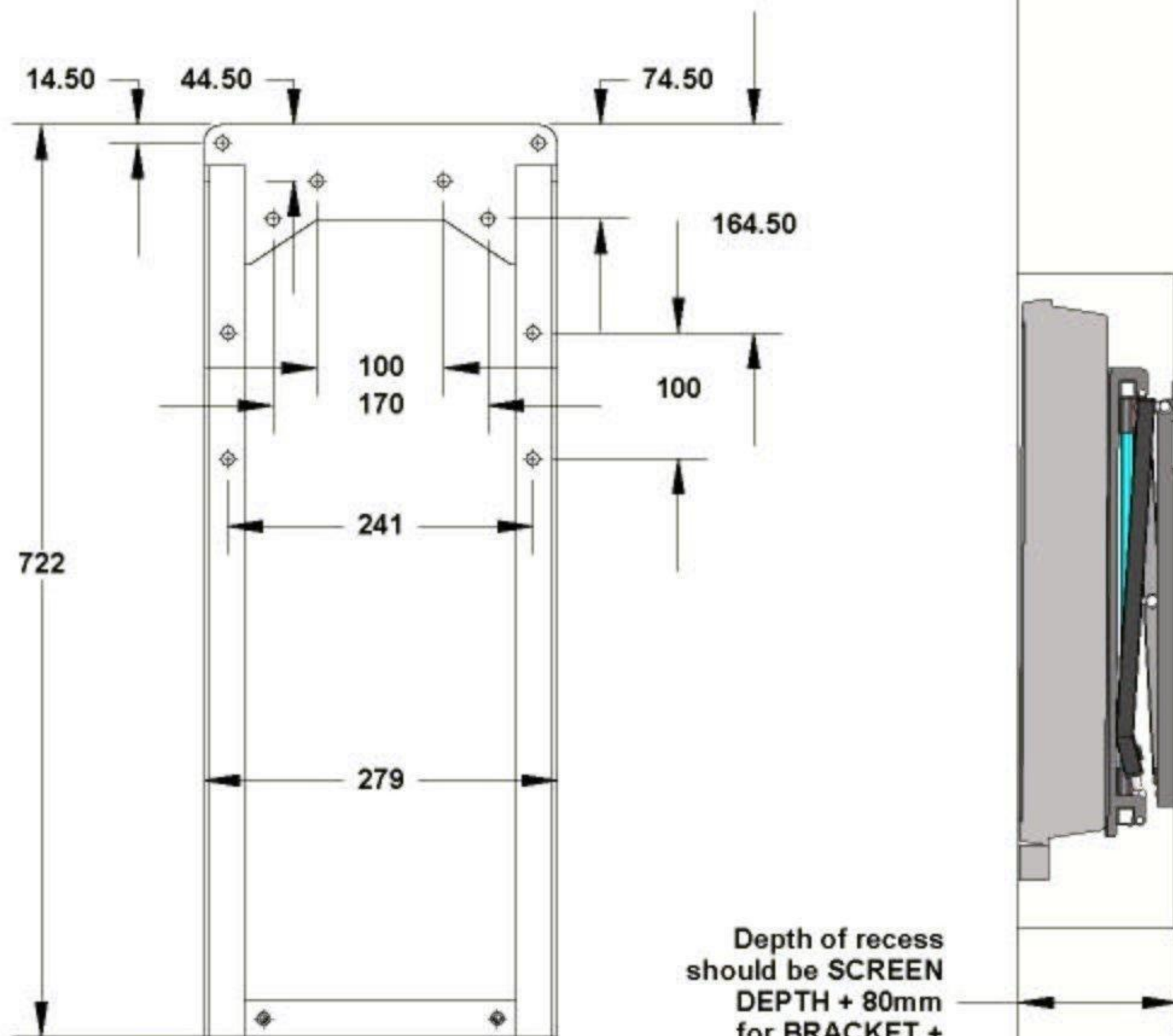
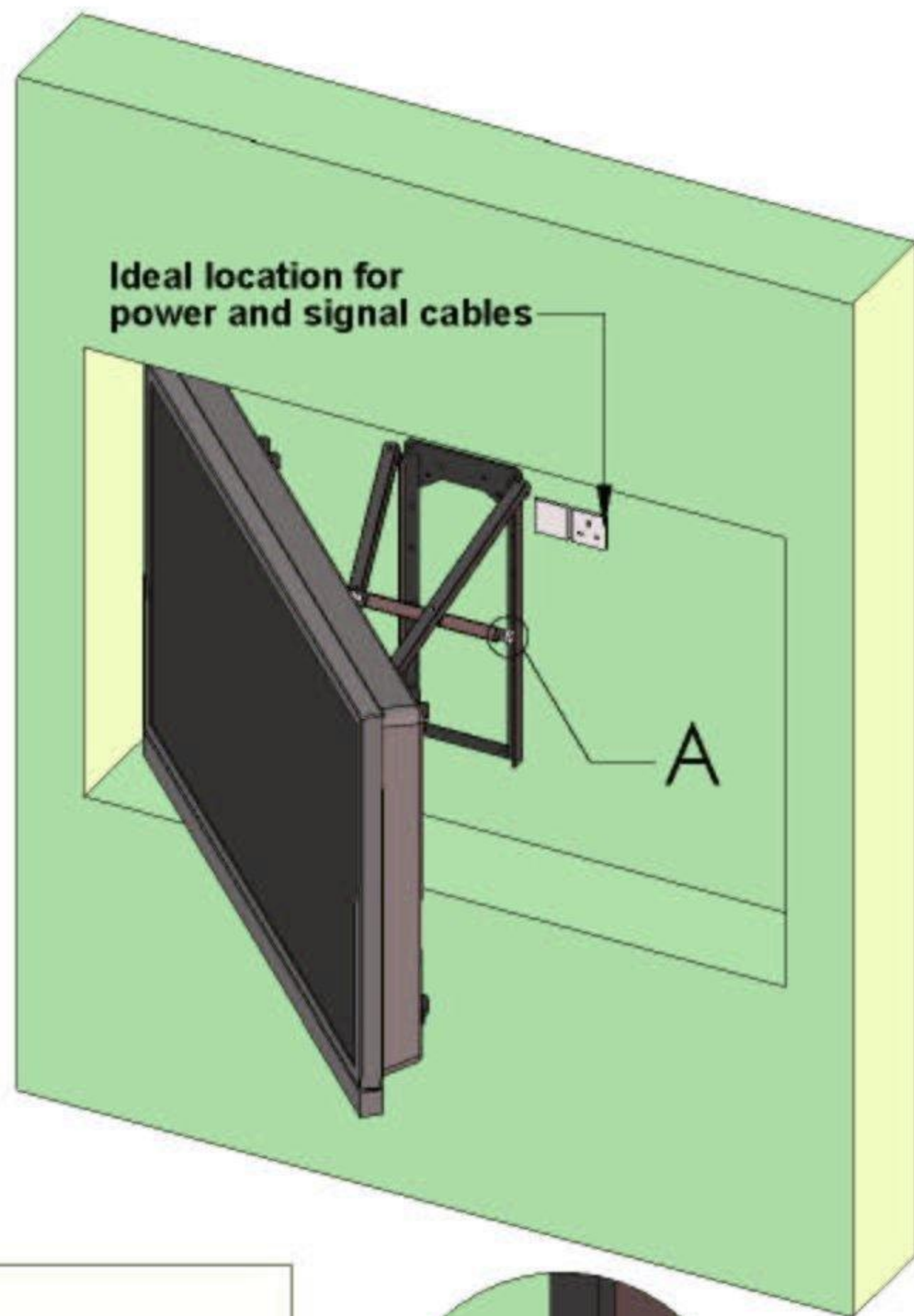
50mm to allow ventilation  
and room to get a hand on  
top of the plasma to pull it out



When recess mounting a plasma on a Future Automation Swivel Bracket the gap around the edge could be as little as 3mm. Ventilation would have to be provided by opening the top and maybe the bottom of the recess.

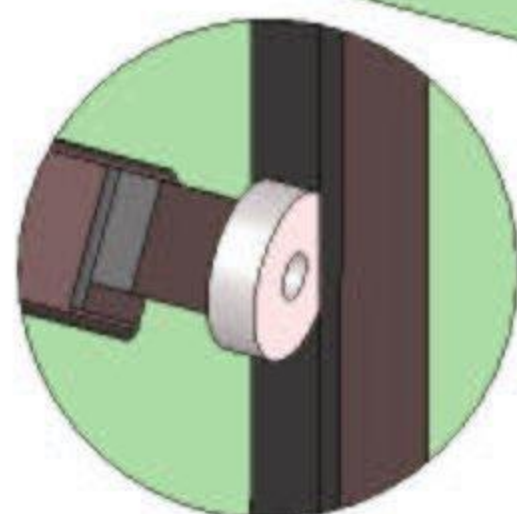
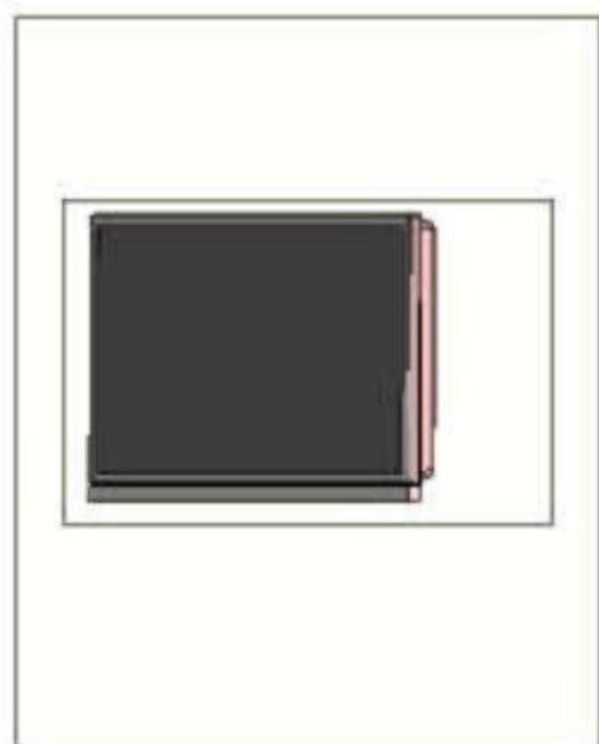
Larger gaps of 50mm around the plasma screen enable some ventilation and enough room to grab hold of the plasma to pull it out.

# PLASMA TV SWIVEL BRACKET 55" TO 65" (CXPLASWI65)



The whole area of the wall plate needs to be well supported. Ideally solid plaster over brickwork.

If stud work then thick timber (50mm) to screw into around the top six mounting holes. The lower part of the wall plate needs to be over 18mm ply/MDF as the bearings shown on the sketch on the left push with some force into the wall.



DETAIL A  
SCALE 1 : 2.5