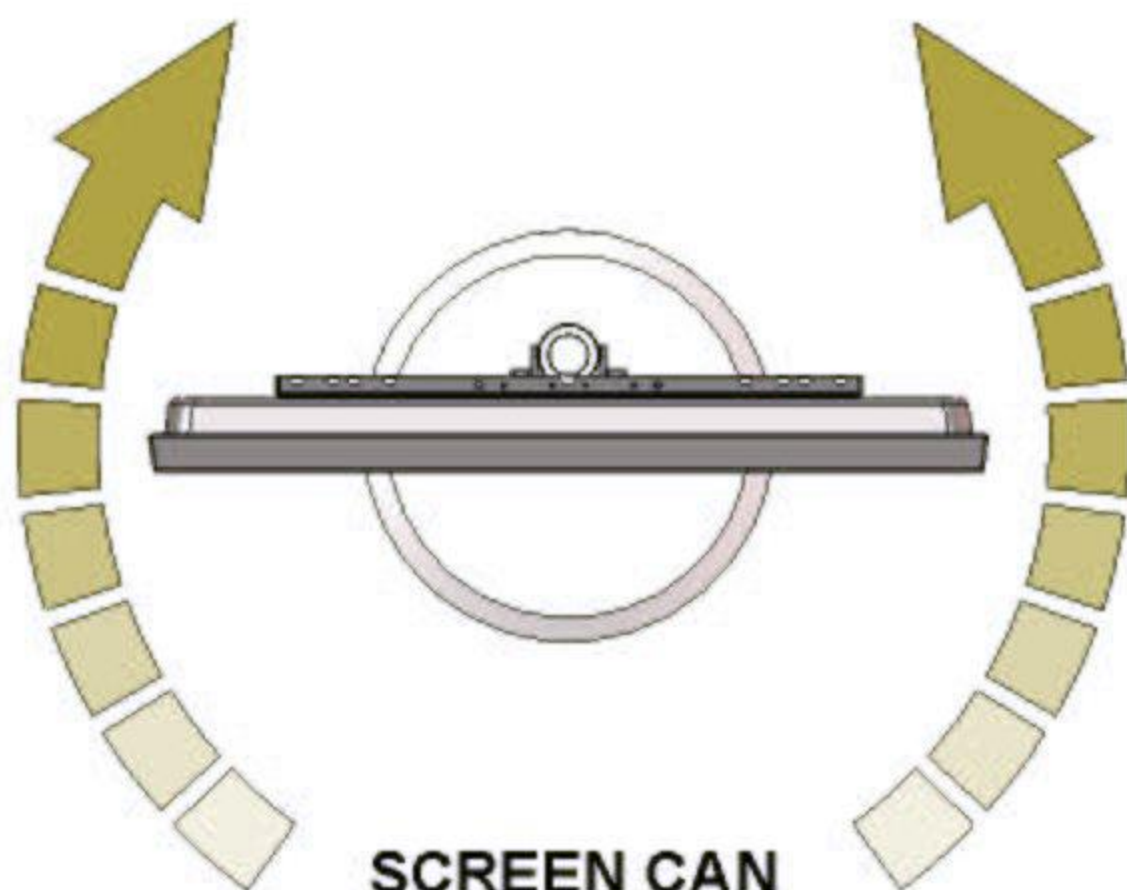
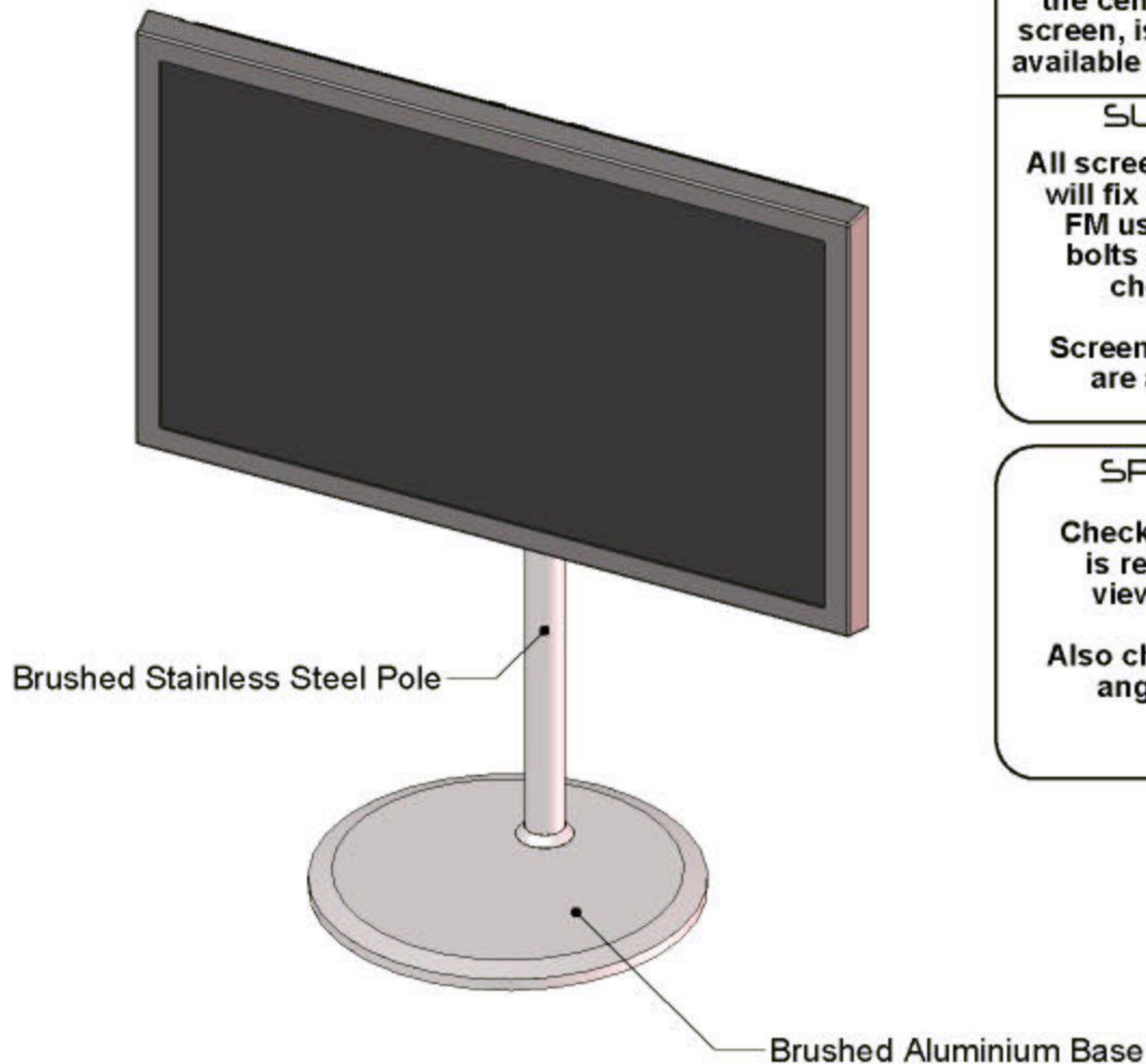


FLOOR MOUNT (FLOORM)



**SCREEN CAN
BE ROTATED
WITH EASE**

IMPORTANT
Maximum angle +/- 30°. This must not be exceeded, otherwise the mount becomes unstable.



FUNCTION

The FM is a floor mounted stand suitable for screen sizes from 32" to 50".

The standard FM height, to the centre of a mounted screen, is 800mm. It is also available in custom heights.

SUITABILITY

All screens in our Group A will fix straight on to the FM using the suitable bolts supplied for the chosen screen.

Screen specific mounts are also available.

SPECIFYING

Check the height that is required for the viewing position.

Also check the viewing angles required.

WARNING

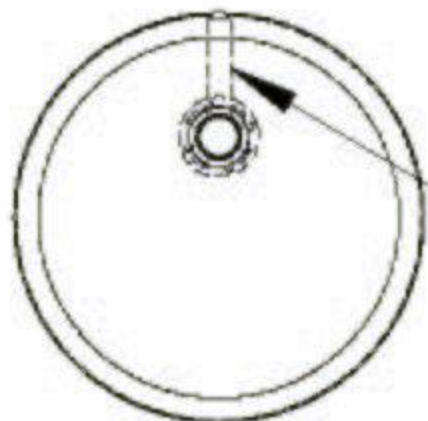
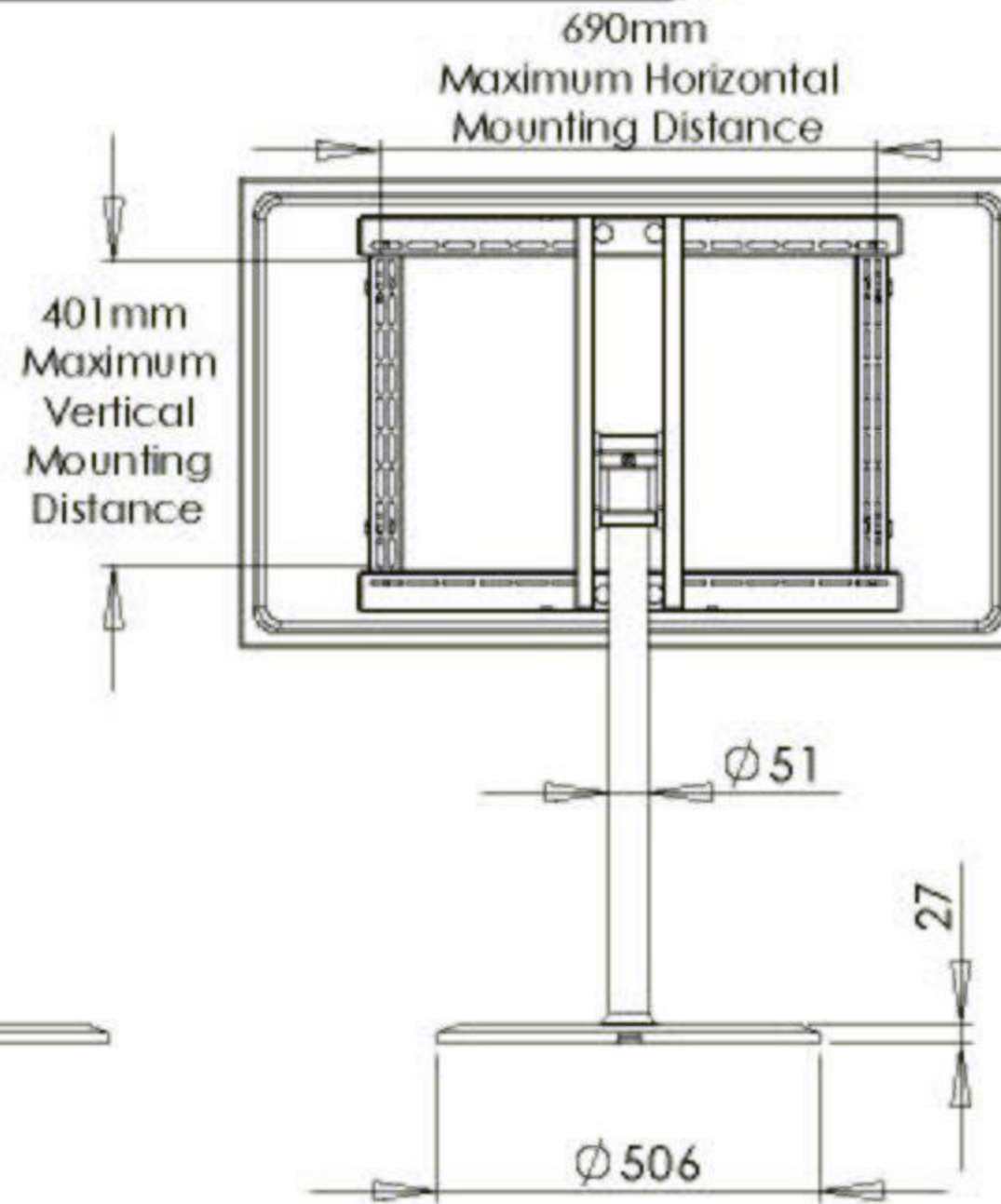
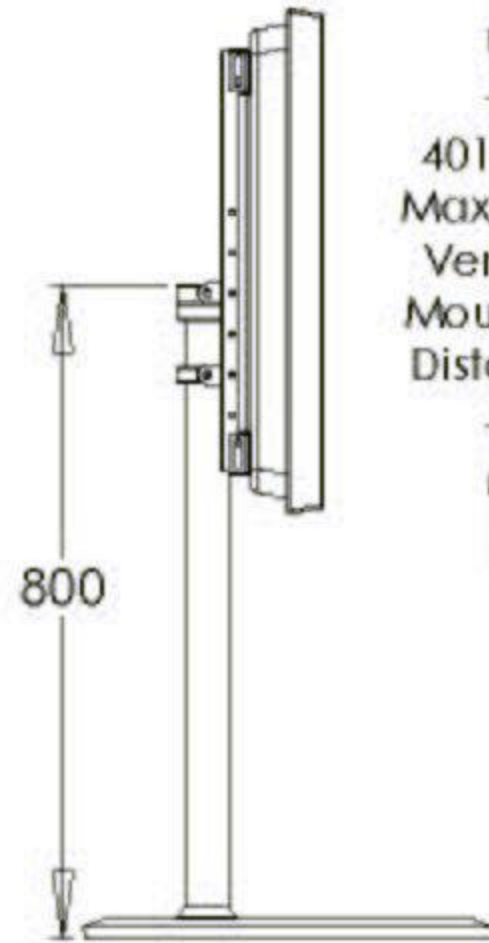
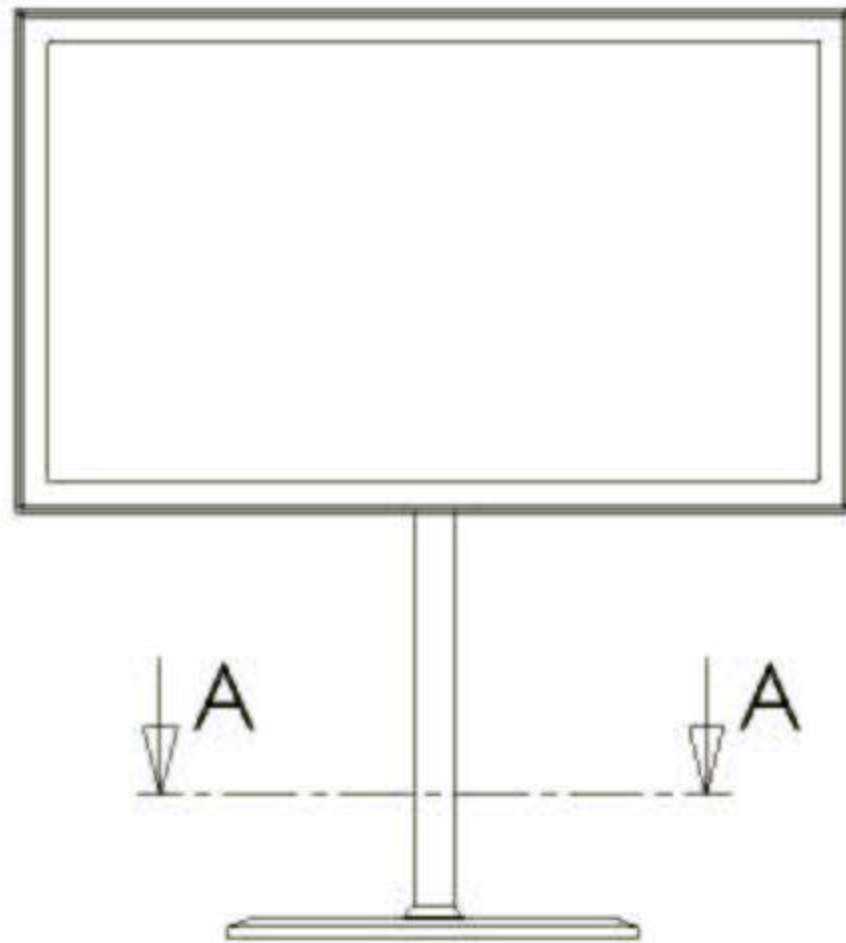
It is the responsibility of the installer to make sure this product is stable

FLOOR MOUNT (FLOORM)

NOTES

A nicely finished simple mounting solution.

Standard height is 800mm. Custom heights can be produced at a higher cost and longer lead time.



Cables can exit out from underneath, under a carpet, or straight out the back.

SECTION A-A
SCALE 1:14

NOTE:

The uprights in the framework are able to slide along the cross members so that any bolt pattern smaller than 690 wide x 401 high can be catered for.

