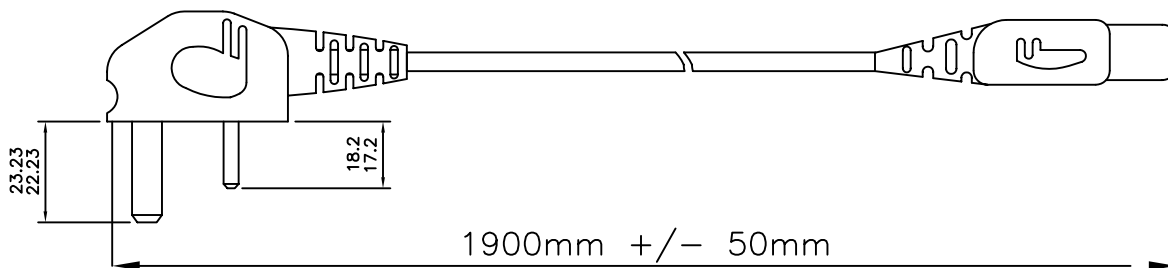
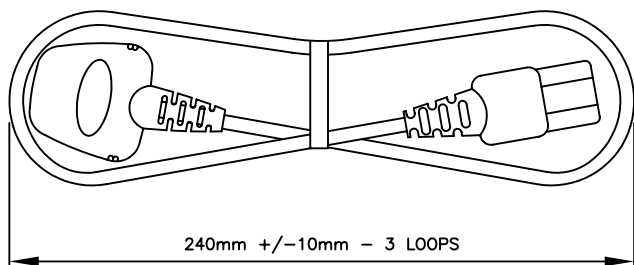
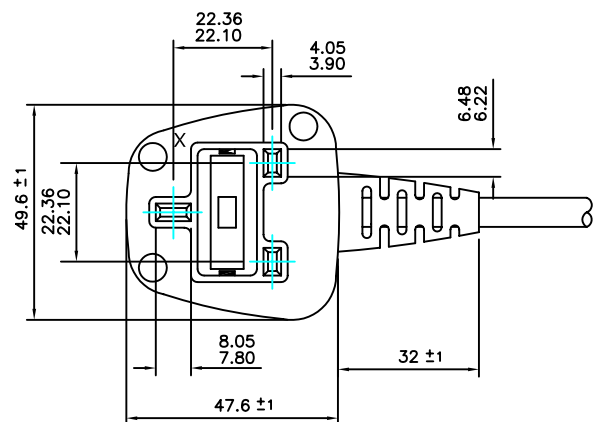


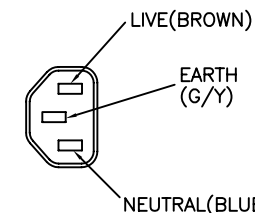
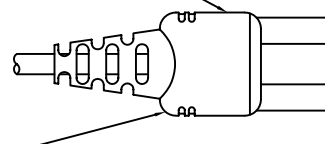
CUSTOMER: CUSTOMER PART NO. CONNEXIONS PART NO. ML-5530SIH DATE. 14/06/2007



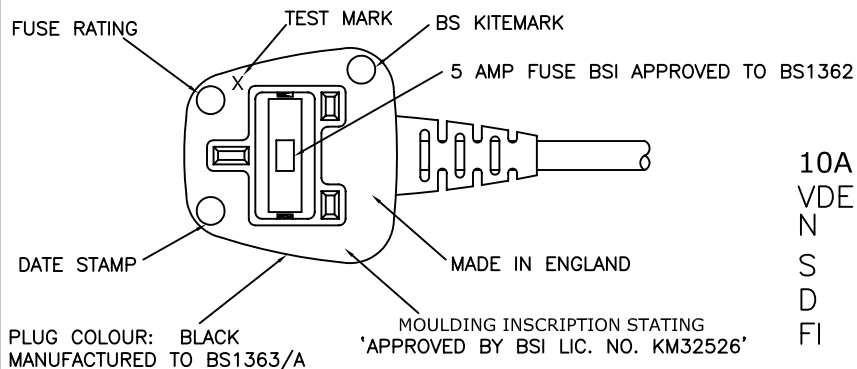
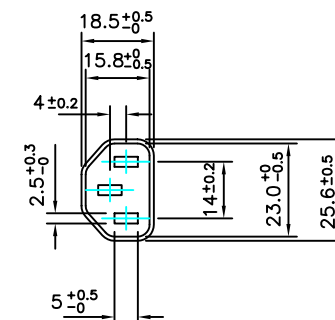
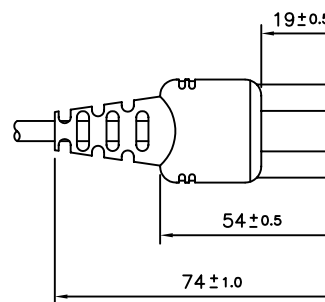
CABLE SPEC: 3183Y H05V-F 3x0.75mm² - COLOUR: BLACK



IEC CONNECTOR COLOUR: BLACK



MOULDING INSCRIPTION STATING (UNDERNEATH)
'CXC BS4491-10A/250V-BS KITEMARK'



10A CONNECTOR APPROVALS

VDE	Germany	KEMA	Netherlands
N	Norway	CEBEC	Belgium
S	Sweden	BSI	UK
D	Denmark		
FI	Finland		

DO NOT SCALE
DIMENSIONS FOR REFERENCE ONLY

UK FULLY MOULDED PLUG (5 AMP FUSED)
H05VV-F 3 CORE x 0.75mm²
TO STRAIGHT IEC 320 COLD CONNECTOR
1900mm
BLACK
INDIVIDUALLY HANKED