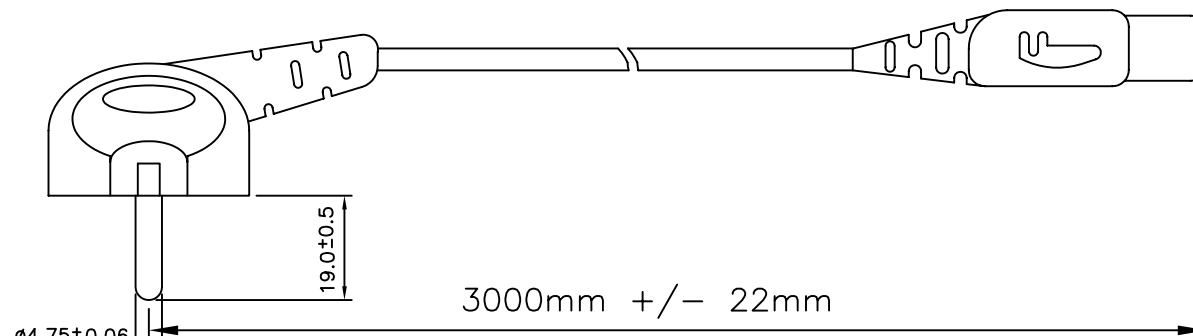
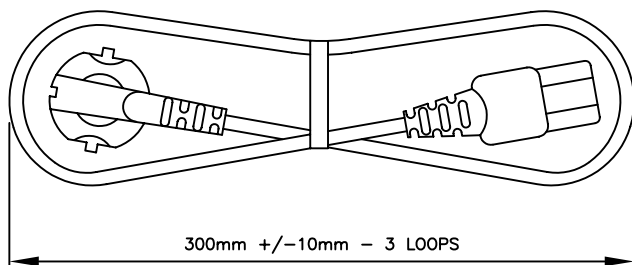
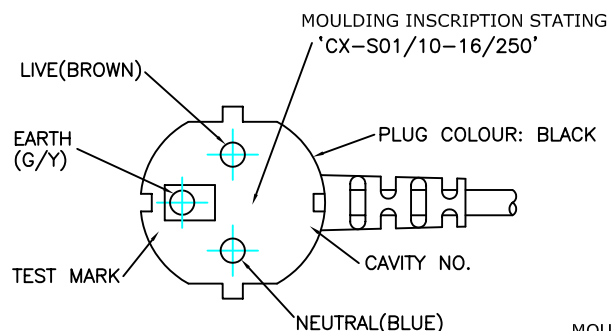


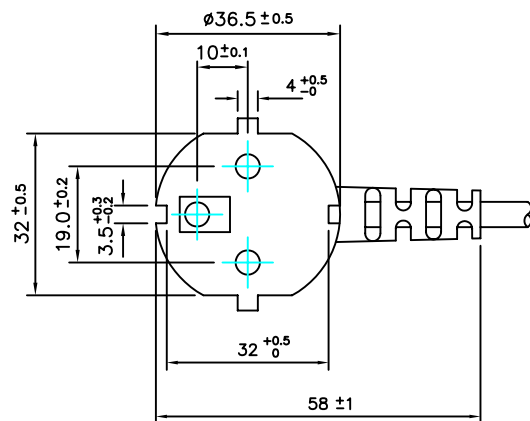
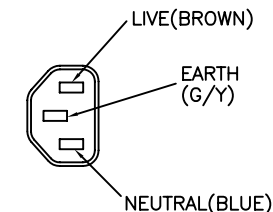
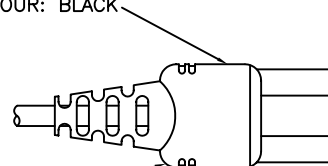
CUSTOMER: CUSTOMER PART NO. CONNEXIONS PART NO. ML-8324-SI DATE 30/03/2007



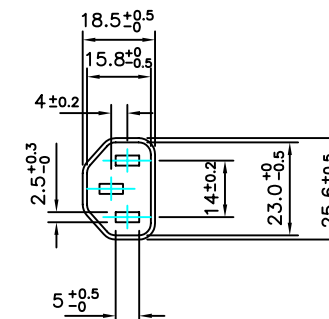
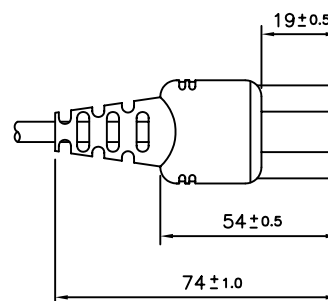
CABLE SPEC: 3183Y H05VV-F 3 x 1.00mm<sup>2</sup> -COLOUR: BLACK



IEC CONNECTOR COLOUR: BLACK



MOULDING INSCRIPTION STATING (UNDERNEATH)  
'CXC BS4491-10A/250V-BS KITEMARK'



DO NOT SCALE  
DIMENSIONS FOR REFERENCE ONLY

10/16A PLUG APPROVALS

VDE Germany KEMA Netherlands  
SEMKO Sweden CEBEC Belgium  
DEMKO Denmark  
FIMKO Finland  
NEMKO Norway

10A CONNECTOR APPROVALS

VDE Germany KEMA Netherlands  
SEMKO Sweden CEBEC Belgium  
DEMKO Denmark BSI UK  
FIMKO Finland  
NEMKO Norway

RIGHT ANGLED SCHUKO PLUG  
H05VV-F 3x1.00mm<sup>2</sup>  
TO STRAIGHT IEC 320 COLD CONNECTOR  
3000mm  
BLACK  
INDIVIDUALLY HANKED